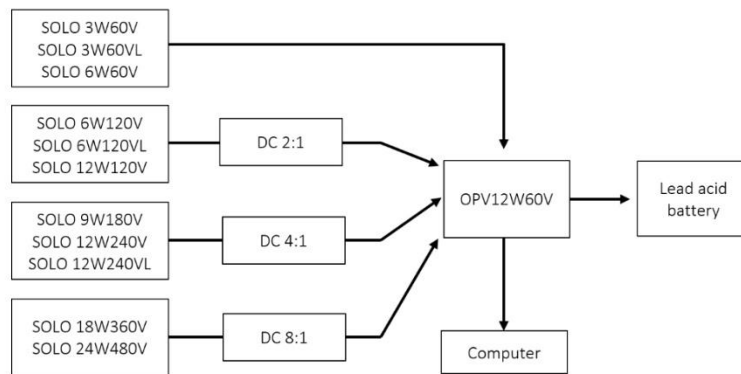


SOLO electronics

infinityPV ApS offer conversion electronics for the SOLO panels. You can easily configure your SOLO panel for charging a battery. The powerful 12W60V unit offers full maximum power point tracking, monitoring via USB port and you can even do simple IV-curves of your SOLO panel. The range of SOLO panels present voltages up to 480 Volts and by using our DC transformers with 8:1, 4:1 or 2:1 conversions you can use the OPV12W60V unit in the entire voltage range of the SOLO panels.

The SOLO series of panels range from 3-24 Watts and have output voltages of 60 V, 120 V, 180 V, 240 V or 480 V. With less than 2 mm in thickness this series of light weight panels comes in different sizes, shapes, and colours. The panels are uniquely environmentally friendly because of the low embedded energy in the solar foil. Help limit the CO2 emissions and pollution of the environment by using the sun's resources! >99.9% of the weight can be recycled by proper disposal in general plastic waste.



Schematic presentation of SOLO panels combined with conversion electronics, battery and computer control



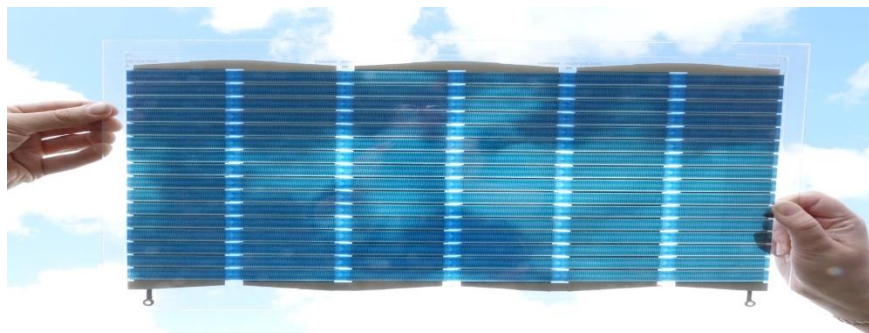
OPV12W60V connected to SOLO panel and battery



OPV12W60V board



DC-Transform 12W180V



SOLO 3W60V panel